



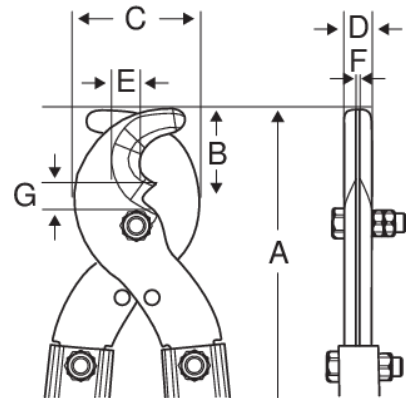
2520

**Cable Cutters with Epoxy Painted
Handles for Cu and Al Cables 30
mm**



PRODUCT DETAILS


- Cable cutter to cut aluminium or copper cables with or without messenger wire
- Cutting capacity: 30 mm diameter of Al/Cu with a messenger wire of hard steel, maximum 6 mm diameter
- Alloy steel
- Phosphate finish, epoxy painted handles



Follow the Fish!



PRODUCT ATTRIBUTES

Product	A	B	C	D	E	F	G		
2520	550 mm	54 mm	69.5 mm	15 mm	16 mm	8 mm	13 mm	30 mm	1730 g
2520-SH	220 mm	54 mm	69.5 mm	15 mm	16 mm	8 mm	13 mm		800 g

