



HAND PUMPS

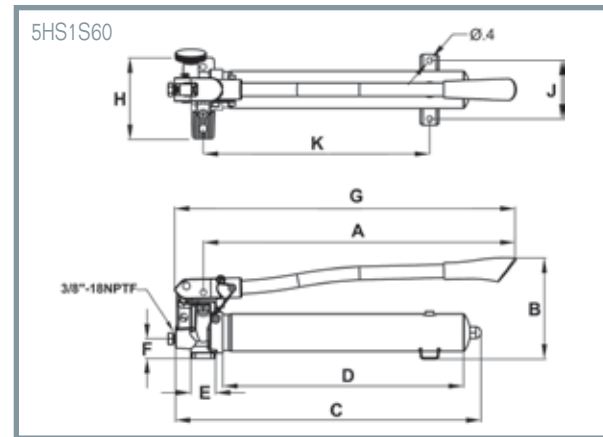
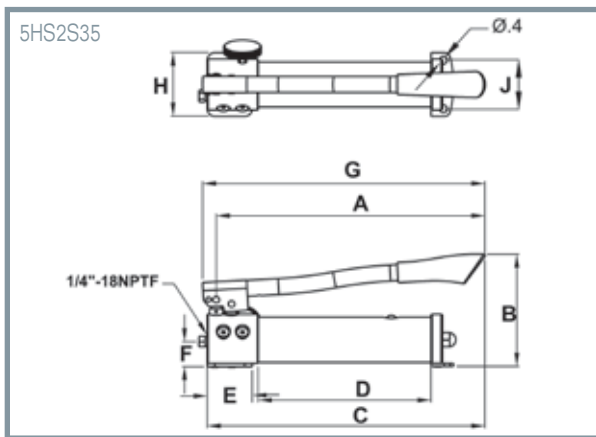
- 5HS2S35, 5HS2S100 and 5HS2S200 feature 2 speed operation
- Pressure relief valve for overload protection
- Load release valve for single acting cylinder usage
- Large oil capacities to power a wide range of cylinders and tools
- 5HS2S35 and 5HS2S100 are constructed of high strength lightweight aluminum alloy for easy handling and corrosion resistance
- All hand pumps function in horizontal positions and will also function in some vertical positions
- Maximum working pressure: 10,000 psi / 700 bar



5HS1S60



5HS2S35



HAND PUMP SPECIFICATIONS

Used with Cylinder	Pump Type	Usable Oil Capacity (in ³)	Product Code	Pressure Rating		Oil Displacement per Stroke		Max. Operating Force (lbs)	Piston Stroke (in)	Oil Outlet Port
				(psi)		(in ³)				
				1st Stage	2nd Stage	1st Stage	2nd Stage			
Single Acting	Single-speed	36.5	5HS1S60	200	10,000	0.18	0.05	88	0.38	3/8"-18NPTF
		67.0	5HS1S120							3/8"-18NPTF
	21.4	5HS2S35	1/4"-18NPTF							
	61.0	5HS2S100	3/8"-18NPTF							
	128.0	5HS2S200	3/8"-18NPTF							

PULLERS & INDUSTRIAL
HYDRAULICS

HAND PUMPS