

Installation Instructions
MSA Ladder Extension Post



Order No.:30177-99-02

Print Spec: 10000005389 (F)

CR: 800000064524

⚠ WARNING!

These instructions must be provided to users before use of the product and retained for ready reference by the user. Read this manual carefully before using or maintaining the device. The device will perform as designed only if it is used and maintained in accordance with the manufacturer's instructions. Otherwise, it could fail to perform as designed, and persons who rely on this device could sustain serious injury or death.

The warranties made by MSA with respect to the product are voided if the product is not installed and used in accordance with the instructions in this manual. Please protect yourself and your employees by following the instructions.

Please read and observe the WARNINGS and CAUTIONS inside. For additional information relative to use or repair, call 1-800-MSA-2222 during regular working hours.

MSA is a registered trademark of MSA Technology, LLC in the US, Europe and other Countries. For all other trademarks visit <https://us.msasafety.com/Trademarks>.



The Safety Company

Latchways PLC
Msa Bristol Units 11-14 Beeches Road Industrial Estate
Yate, United Kingdom, BS37 5QT

+44 (0) 800 066 2222

For your local MSA contacts, please go to our website www.MSAafety.com

Contents

1	Important Information	4
2	Required Tools	4
3	Ladder Extension Post Assembly	5
4	Fixing Kit	5
5	Extension Post Installation	5
5.1	Specifications	6
5.2	Installation of the Extension Post to the Ladder Rungs	6
6	D-Ring Anchor Installation	6
6.1	Parts List	6
7	Inspection	7
7.1	Inspection Frequency	7
7.2	Formal Inspection	7
7.3	Inspection Procedure	7
7.4	Corrective Action	7
7.5	Inspection Log	7
8	Warranty	8

1 Important Information

WARNING!

- The MSA Ladder Extension Post is designed for use with round rungs up between 0.47"(12mm) and 1.25" (31.75mm), square rungs between 0.79"(20mm) and 1.18"(30mm), and diamond rungs between 0.71"(18mm) and 1"(25.4mm).
- Before installing, make sure that all users are aware of the rescue procedure and how it should be safely implemented.
- Ladders and other structural anchorages must be capable of sustaining the results of a maximum arrest load of 3375 lbs (15 kN).
- Operational temperature range is 22°F to +122°F (-30°C to +50°C).
- Users of the MSA Ladder Extension Post shall be medically fit and suitably trained. MSA Ladder Extension Posts shall not be used by pregnant women, minors or those under the influence of alcohol or drugs.
- Instructions shall be retained and provided to all Users of MSA Ladder Extension Post in the language of the destination country, even when resold.
- The MSA Ladder Extension Post is only to be used for its intended purpose and within its limitations. Further clarification may be obtained from MSA.
- Only MSA or persons or entities with written authorization from the manufacturer may make repairs to the Extension Post. No unauthorized repairs, modifications, alterations, relocations, and/or additions are permitted.
- DO NOT alter this equipment or intentionally misuse it. DO NOT use fall protection equipment for purposes other than those for which it was designed. DO NOT use fall protection equipment for hoisting or material handling.
- For single User only within the weight range 60 - 140 kg (130 - 310 lbs) (including tools). Suitable for use up to 181 kg (400 lbs) (including tools) under OSHA only.
- If an issue is identified or any doubt exists as to the suitability of the Extension Post, it shall be tagged "unusable" and withdrawn from service.
- If the MSA Ladder Extension Post is damaged or is subjected to impact forces, it must be immediately removed from service and marked as "UNUSABLE" until it has been destroyed.
- Do not leave the MSA Ladder Extension Post installed in environments which could cause damage or deterioration to the product. Refer to [7 Inspection](#) for care and inspection details.
- Chemical hazards, heat and corrosion may damage the MSA Ladder Extension Post. More frequent inspections are required in these environments.
- DO NOT use the MSA Ladder Extension Post near energized equipment or where contact with high voltage power lines may occur. Metal components of the PFL may provide a path for electrical current to flow, resulting in an electrical shock or electrocution
- RESCUE AND EVACUATION: the user must have a rescue plan and the means at hand to implement it. The plan must take into account the equipment and specific training necessary to affect prompt rescue under all foreseeable conditions. If the rescue be from a confined space, the provisions of OSHA regulation 1910.146 and ANSI Z117.1 must be taken into account. It is recommended to provide means for user evacuation without assistance of others. This will usually reduce the time to get to a safe place and reduce or prevent the risk to rescuers.

Failure to follow these warnings can result in serious personal injury or death.

2 Required Tools

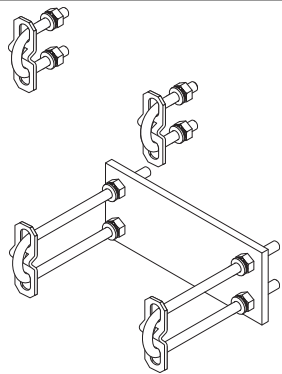
Spanner wrench	3/4" (19 mm) x 2
Torque wrench	15 ft lbs (20 Nm)
Socket	3/4" (19 mm) x 1

3 Ladder Extension Post Assembly

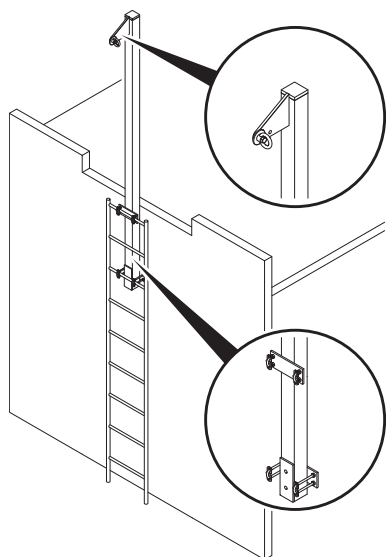
Part Number	Qty	Description
L00200-05	2	M12 Form B Flat Washer A4
L00200-36	1	M12 Form A Spring Washer A4
L00300-01	1	M12 × 1.75 - H Full Nut A4
L00400-42	1	M12 × 1.75 - 6g × 40 LG Hex Bolt A4/70
30001-01	1	Ladder Extension Post (Weld Assembly)
30001-13	1	Plastic Plug
30188-00	1	Top Anchor Extension Fixing Kit
85030-00	1	D-Ring-Casting
85042-00	1	M12 D-Ring Label

4 Fixing Kit

Top anchor extension fixing kit, P/N 30188-00

	Material	Stainless Steel
	Maximum Load Information	>15 kN
	Visual Inspection	100%

5 Extension Post Installation



6 D-Ring Anchor Installation

5.1 Specifications

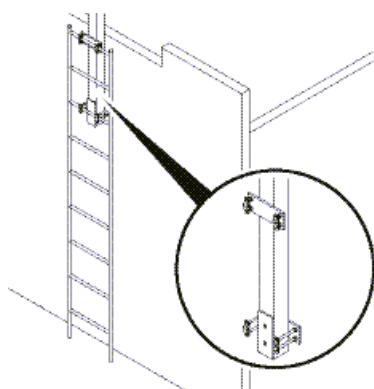
Material	Galvanized Mild Steel
Maximum Load Information	Static strength (in vertical plane) >22.2 kN
Visual Inspection	100%

5.2 Installation of the Extension Post to the Ladder Rungs

⚠ WARNING!

Climb the ladder in accordance with best safe practice. When installing or removing the MSA Extension Ladder Post, limit exposure to fall hazards. A separate independent fall arrest system may be required.

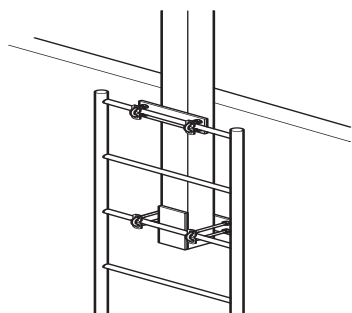
Failure to follow this warning can result in serious personal injury or death.



1. Position the ladder post behind the ladder rungs.

NOTE: The ladder post can be positioned at any point on the ladders rungs, e.g. centrally, far left or far right.

2. Pass the smaller U-bolts around the rungs and through the galvanised plate welded to the post, ensuring the clamp plates are positioned over the rung at the front of the ladder. Loosely secure in place with nuts and washers.
3. Pass the larger U-bolts around the rungs and through the stainless steel plate to clamp around the post, ensuring the clamp plates are positioned over the rung at the front of the ladder. Loosely secure in place with nuts and washer

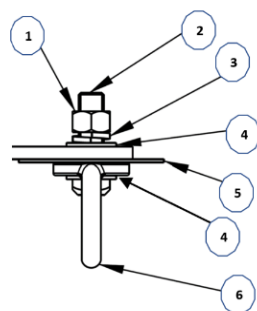
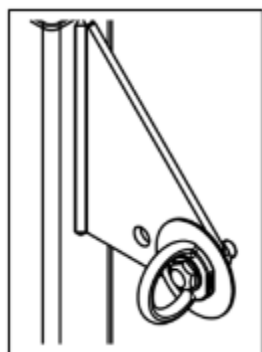


4. Align the post vertically in the preferred position on the ladder rungs and tighten all the nuts to the specified torque setting.

NOTE: The recommended tightening torque setting for all M10 rung fixings is 15 lb-ft (20 N-m).

6 D-Ring Anchor Installation

6.1 Parts List



Item	Description
1	M12 Nut
2	M12 Bolt
3	M12 Spring Washer
4	M12 Flat Washer
5	SPA Label
6	D-ring

NOTE: The recommended tightening torque setting for the M12 D-ring fixing is 40 lb-ft (54 N-m).

7 Inspection

7.1 Inspection Frequency

Inspect the MSA Ladder Extension Posts before each use.

7.2 Formal Inspection

MSA requires that the Extension Posts be inspected by a competent person other than the user at intervals of no more than 12 months per applicable standard or as specified by a formal fall protection program. Record formal inspections in the provided Inspection Log.

WARNING!

If an issue is identified or any doubt exists as to the suitability of the Extension Post, it shall be tagged “unusable” and withdrawn from service.

Failure to follow this warning can result in serious personal injury or death.

7.3 Inspection Procedure

Perform the following steps in order. If in doubt about any inspection point, consult MSA or a competent person qualified to perform formal inspection. Do not use the ladder extension posts if inspection of it reveals an unsafe condition.

1. Check the ladder is securely attached to the structure (refer to ladder manufacturers instructions)
2. Inspect for any signs of damage or deterioration of the ladder.
3. Check all fixings attaching the extension post to the ladder are present and correctly installed.
4. Torque check fixings to the prescribed torque value.
5. Inspect for any signs damage or deterioration of the extension post and fixings.
6. Record results of the inspection on the inspection log.

7.4 Corrective Action

Damage and aging are not repairable. Remove damaged MSA Ladder Extension Posts from service immediately.

7.5 Inspection Log

Record formal inspection in an Inspection Log.

Figure 1 Example Inspection Log

Model No.:	_____	Inspector:	_____
Serial No.:	_____	Inspection Date:	_____
Date Made:	_____	Disposition:	_____
Comments:	_____		

8 Warranty

Express Warranty – MSA warrants that the product furnished is free from mechanical defects or faulty workmanship for a period of one (1) year from first use or eighteen (18) months from date of shipment, whichever occurs first, provided it is maintained and used in accordance with MSA's instructions and/or recommendations. Replacement parts and repairs are warranted for ninety (90) days from the date of repair of the product or sale of the replacement part, whichever occurs first. MSA shall be released from all obligations under this warranty in the event repairs or modifications are made by persons other than its own authorized service personnel or if the warranty claim results from accident, alteration, abuse, or misuse of the product. Normal wear and tear is also excluded. No agent, employee or representative of MSA may bind MSA to any affirmation, representation or modification of the warranty concerning the goods sold under this contract. MSA makes no warranty concerning components or accessories not manufactured by MSA, but will pass on to the Purchaser all warranties of manufacturers of such components. **THIS WARRANTY IS IN LIEU OF ALL OTHER WARRANTIES, EXPRESS, IMPLIED OR STATUTORY, AND IS STRICTLY LIMITED TO THE TERMS HEREOF. MSA SPECIFICALLY DISCLAIMS ANY WARRANTY OF MERCHANTABILITY OR FITNESS FOR A PARTICULAR PURPOSE.**

Exclusive Remedy – It is expressly agreed that the Purchaser's sole and exclusive remedy for breach of the above warranty, or for any other cause of action (including tortious conduct) arising out of or related to the same, shall be the repair and/or replacement, at MSA's option, of any equipment or parts thereof, that after examination by MSA are proven to be defective. Replacement equipment and/or parts will be provided at no cost to the Purchaser, F.O.B. Purchaser's named place of destination. FAILURE OF MSA TO SUCCESSFULLY REPAIR ANY NONCONFORMING PRODUCT SHALL NOT CAUSE THE REMEDY ESTABLISHED HEREBY TO FAIL OF ITS ESSENTIAL PURPOSE.

Exclusion of Consequential Damages – PURCHASER SPECIFICALLY UNDERSTANDS AND AGREES THAT UNDER NO CIRCUMSTANCES WILL MSA BE LIABLE TO PURCHASER FOR ECONOMIC, SPECIAL, INCIDENTAL, OR CONSEQUENTIAL DAMAGES OR LOSSES OF ANY KIND WHATSOEVER, INCLUDING BUT NOT LIMITED TO, LOSS OF ANTICIPATED PROFITS AND ANY OTHER LOSS CAUSED BY REASON OF THE NON-OPERATION OF THE GOODS. This exclusion is applicable to claims for breach of warranty, tortious conduct or any other cause of action against MSA.

For additional information please contact the Customer Service Department at 1-800-MSA-2222 (1-800-672-2222).