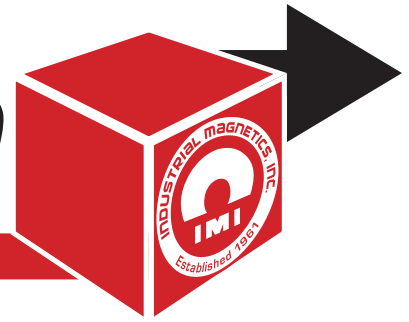


QUICKSHIPSM

ORDER TODAY - SHIP TODAY



IMI's Guaranteed, Same-Day Shipping Program



Industrial Magnetics, Inc. announces its' new, "QuickShip™" Program, which guarantees same-day shipping on orders placed Mon-Fri. by 2:00pm EST on 450 eligible magnetic products.

Products in the QuickShip™ program include a wide offering of magnets for holding, lifting, fixturing, welding & sweeping applications, magnets for automated/robotic material handling and magnetic separation devices for ferrous metal removal.

Products included in the QuickShip™ program can be identified on the company's website by the QuickShip™ logo located after the item's part number, and are available to order either online or by contacting the factory directly at 800.662.4638.

For additional information on the QuickShip program, please visit <https://www.magnetics.com/catalog.asp>



INDUSTRIAL MAGNETICS, INC. • 231.582.3100 • WWW.MAGNETICS.COM



Grate Tubes & Grate Tube Assemblies

MAGNETIC TUBES

IMI's magnetic tubes are ideal for custom installations that require magnetic separation, but lack the space for a housing or grate assembly. Tapped mounting holes located in each end of the tube allow for easy bolt-in installation. Customers can arrange these tubes in a configuration that works best for their magnetic separation needs.

MAGNETIC GRATE ASSEMBLIES

Magnetic Grate Separators, sometimes called "hopper magnets", deliver ferrous tramp metal separation in bins, chutes, drawers, hoppers and circular enclosures.

IMI's magnetic grates are constructed with one inch diameter magnetic tubes placed on two inch (2") centers in heavy duty 1/8" thick x 2" wide stainless steel framing ranging in sizes from 4" to 36".

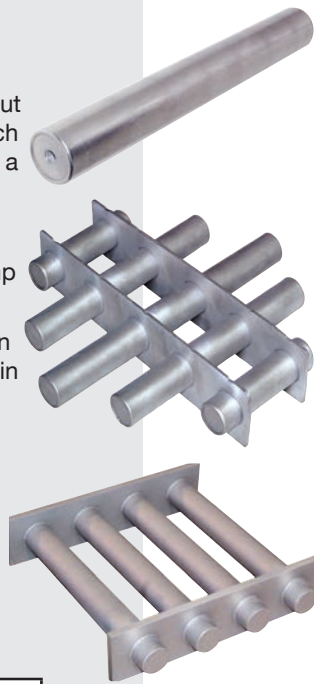
Magnet Materials for Grate Tubes and Grate Assemblies

Ceramic: Used for small to larger ferrous particle separation such as nails, bolts, washers, etc.

Rare Earth UHI-52™ (52 MgOe Circuit): Extremely powerful magnet material is used for "fine particle" separation such as metal filings, shavings, metal wear residue, work hardened stainless steel, etc.

Find Magnetic Grates & Tubes Online And Download Technical Sheets At...

<https://www.magnetics.com/tg/grates.asp>



ROUND Style Magnetic Grates	
Ceramic Part No.	Grate Dia.
N06DC	6"
N08DC	8"
N10DC	10"
N12DC	12"

SQUARE Style Magnetic Grates	
Ceramic Part No.	Grate Size
N06W06LC	6" x 6"
N08W08LC	8" x 8"

1" Diameter ROUND Magnetic Grate Tubes		
Ceramic	Rare Earth	Tube Length
GT0400C	—	4"
GT0600C	GT0600R	6"
GT0800C	GT0800R	8"
GT1000C	GT1000R	10"
GT1200C	GT1200R	12"
GT1400C	—	14"
GT1600C	—	16"
GT1800C	—	18"
GT2000C	—	20"
GT2200C	—	22"



Drawer-In-Housings

Drawer-In-Housings

IMI's Drawer-In-Housings contain one or more rows of magnetic tubes to capture ferrous metal particles. Magnetic tubes consist of Ceramic or Rare Earth circuits encased in Stainless Steel. Two-row housings have tubes on alternating centers from one row to another, to force a zig-zag or cascading material flow over as many tubes as possible to achieve the best metal separation. Standard Drawer-In-Housings are designed for dry, free flowing product streams.



Find Drawer-In-Housings Online And Download Technical Sheets At...

<https://www.magnetics.com/tg/housings.asp>

Drawer-In-Housing				
Part No.	Inlet/Outlet	Finish	Magnet Material	Cleaning Style
IMH0808C2	8" x 8"	Customary Grade	Ceramic	Manual Clean
IMH0808R2EZFG	8" x 8"	Food Grade	Rare Earth	EZ Clean
IMH1010R2EZFG	10" x 10"	Food Grade	Rare Earth	EZ Clean
IMH1212R2EZFG	12" x 12"	Food Grade	Rare Earth	EZ Clean



Pneumatic Line Magnets

PNEUMATIC LINE HOUSING

Pneumatic Line Housing incorporates a series of UHI-52™ MgOe Rare Earth tubes on staggered centers. This ensures all product flowing through makes repeated contact with the magnets. The resulting capture rate of ferrous and weakly magnetic stainless contaminants far exceeds any other magnetic separator available for this type of application. Suitable for processing dry, powder, and granular materials.

BULLET®

Bullet® Magnets have a nose cone diverter and magnet assembly that is designed to maintain a balanced flow through the housing, maintaining uniform velocity in line flow. Ideal for dilute phase systems, typical applications include: processing of powders, flour, chemical, resin, food stuff, pharmaceutical and mineral materials.

EP TUBE MAGNET

EP Tubes have the magnetic portion built into the body of the housing. Ceramic EP tubes are ideal for capturing large tramp metal such as nails, bolts or screws. Typical installations include processing of pelletized plastics, foods, feed and grain or conveying of fibrous or similar products that may have a high moisture content with a tendency to plug or congeal.

4JIT VACUUM LINE MAGNET

In vacuum systems, located between the gayload and the vacuum loader, the Vacuum 4JIT magnet captures ferrous tramp contaminants. The powerful Rare Earth Vacuum 4JITline magnet provides equipment protection and improved product purity without restricting resin flow.

Find Pneumatic Line Magnets Online And Download Technical Sheets At...

<https://www.magnetics.com/tg/pneumatic.asp>



Bullet Magnets (Rare Earth)			
Part No.	O.D.	Finish	Cleaning Style
BM3000REZFG	3"	Food Grade	EZ Clean
BM4000REZFG	4"	Food Grade	EZ Clean
BM5000REZFG	5"	Food Grade	EZ Clean

4JIT Vacuum Line Magnets (Rare Earth)	
Part Number	Line Size
4JIT1500R	1-1/2"
4JIT2000R	2"
4JIT2500R	2-1/2"

Pneumatic Line Housing (Rare Earth)			
Part No.	O.D.	Finish	Cleaning Style
PLH0400REZFG	4"	Food Grade	EZ Clean

Exposed Pole Tube Magnet (Rare Earth)	
Part No.	O.D.
EPT3000R	3"



Suspended Overhead Magnetic Separators

Designed for separation of ferrous metal from a variety of over-the-belt conveyor applications. Proven in industries such as Mining, Aggregate, Recycling, Tire Shredding, Foundry, Wood Chip, Pulp & Paper, Power Generation, Construction and Demolition.

MANUAL CLEAN PERMANENT MAGNETS

- Optional Swiper Bar Available

Find Suspended Overheads Online And Download Technical Sheets At...

<https://www.magnetics.com/tg/conveyor.asp>



Suspended Permanent Magnets				
Part No.	Cleaning Style	Overall Width	Magnet Width	Suspension Height
SPMC12-24	Manual Clean	24"	21"	10" - 12"
SPMC14-36	Manual Clean	36"	33"	12" - 14"



End-Of-Arm Tooling

TRANSPORTER® CA (CYLINDER ACTUATED) MAGNETS

Our patented Transporter® CA utilizes a powerful, rare earth permanent magnet to pick and place heavy, non-flexing steel items, such as truck frames, or other rigid parts in automated transfer or manually operated material handling applications.

The Transporter® CA offers increased material handling safety and a significant reduction over vacuum cups in shop air costs.

Find Transporters® Online And Download Technical Sheets At...

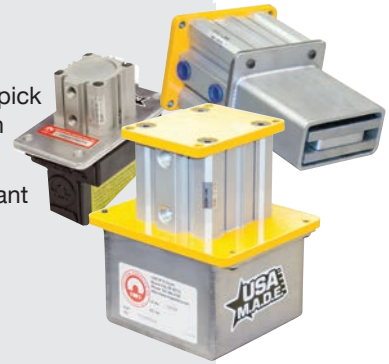
<https://www.magnetics.com/product.asp?ProductID=4>

TRANSPORTER® LP (LOW PROFILE) MAGNETS

The Low Profile Transporter® LP magnetically transfers metal blanks, stampings and parts in automated station to station, press-to-press transfer and robotic pick and place systems. The Designed to directly replace vacuum cups with minor tooling and valve adjustments.

Find Low Profile Transporters Online And Download Technical Sheets At...

<https://www.magnetics.com/product.asp?ProductID=3>



Transporter® Low Profile		
Part No.	Dia.	Description
TPLP15	1.5"	Standard
TPLP15NR	1.5"	Non-rotating
TPLP30	3.0"	Standard
TPLP30ES	3.0"	Extra Strength
TPLP30NR	3.0"	Non-rotating
TPLP30DS	3.0"	Destacker
TPLP50	5.0"	Standard

Transporter® Cylinder Actuated	
Part No.	Face Type
TPCA100CM	Covered magnet
TPCA100EM	Exposed magnet



Permanent Rare Earth Lift Magnets

DESIGNED FOR THICK, NON-FLEXING MATERIAL

Compact and powerful Rare Earth lift magnets can be used on flat or round surfaces and contain an internal release ON/OFF device that does not contact or damage the surface of the part being lifted. Permanent magnetic lifts also eliminate the fear of dropping the load being lifted due to power failures. VersaLifts™ have a test lift feature built-in.

Find Online At... <https://www.magnetics.com/products.asp?ProductParent=Lifts>

PowerLift® Magnets		
Part No.	Lift (flat)	Lift (round)
PNL0250	250 lbs.	125 lbs.
PNL0800	800 lbs.	400 lbs.
PNL1600	1,600 lbs.	800 lbs.
PNL2500	2,500 lbs.	1,250 lbs.
PNL5000	5,000 lbs.	2,500 lbs.

VersaLift™ Magnets		
Part No.	Lift (flat)	Lift (round)
VL0600	600 lbs.	300 lbs.
VL1200	1,200 lbs.	600 lbs.



Magnet Testing & Maintenance

PULL TEST KITS • Part No: PTK2000 & PTK3002

A magnetic pull test is a reliable & widely used method in the industry for determining the strength of a magnet. A pull test can be used in comparing two magnetic devices that look very similar outside, but may have different magnetic circuitry or magnet material on the inside, resulting in a more, or less, effective magnet.

Find Pull Test Kits Online And Download Technical Sheets At...

<https://www.magnetics.com/product.asp?ProductID=98>



• ORDER TODAY - SHIP TODAY • AVAILABLE FOR ORDER ONLINE

See our website for HUNDREDS of other QuickShip™ Products • WWW.MAGNETICS.COM