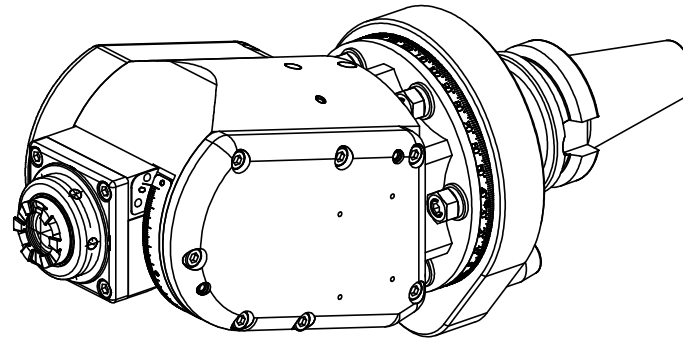


Collet chuck
Spannzange ER25
DIN 6499 (0,5-16)




n1(max)=700rpm
n2(max)=7000rpm
M(max)=3Nm
i(n1/n2)=1:1
p(max)=70bar
grade of filtration: max.0.05mm
direction of rotation not reversal

internal coolant supply through the spindle
external coolant supply through pipe

head 360 degree adjustable

weight around 9.6kg

PROPRIETARY AND CONFIDENTIAL		NAME	DATE	DESC. MIMATIC A178134
THE INFORMATION CONTAINED IN THIS DRAWING IS THE SOLE PROPERTY OF LYNDEX NIKKEN. ANY REPRODUCTION IN PART OR AS A WHOLE WITHOUT THE WRITTEN PERMISSION OF LYNDEX NIKKEN IS PROHIBITED. DRAWING SUBJECT TO CHANGE WITHOUT NOTICE.		DRAWN WN	4/19/22	
NOTES:				
SIZE A	DWG. NO. B40FHM-ER25-202IC-65TP	SCALE 1:1	REV. 0	SHEET 1 OF 1