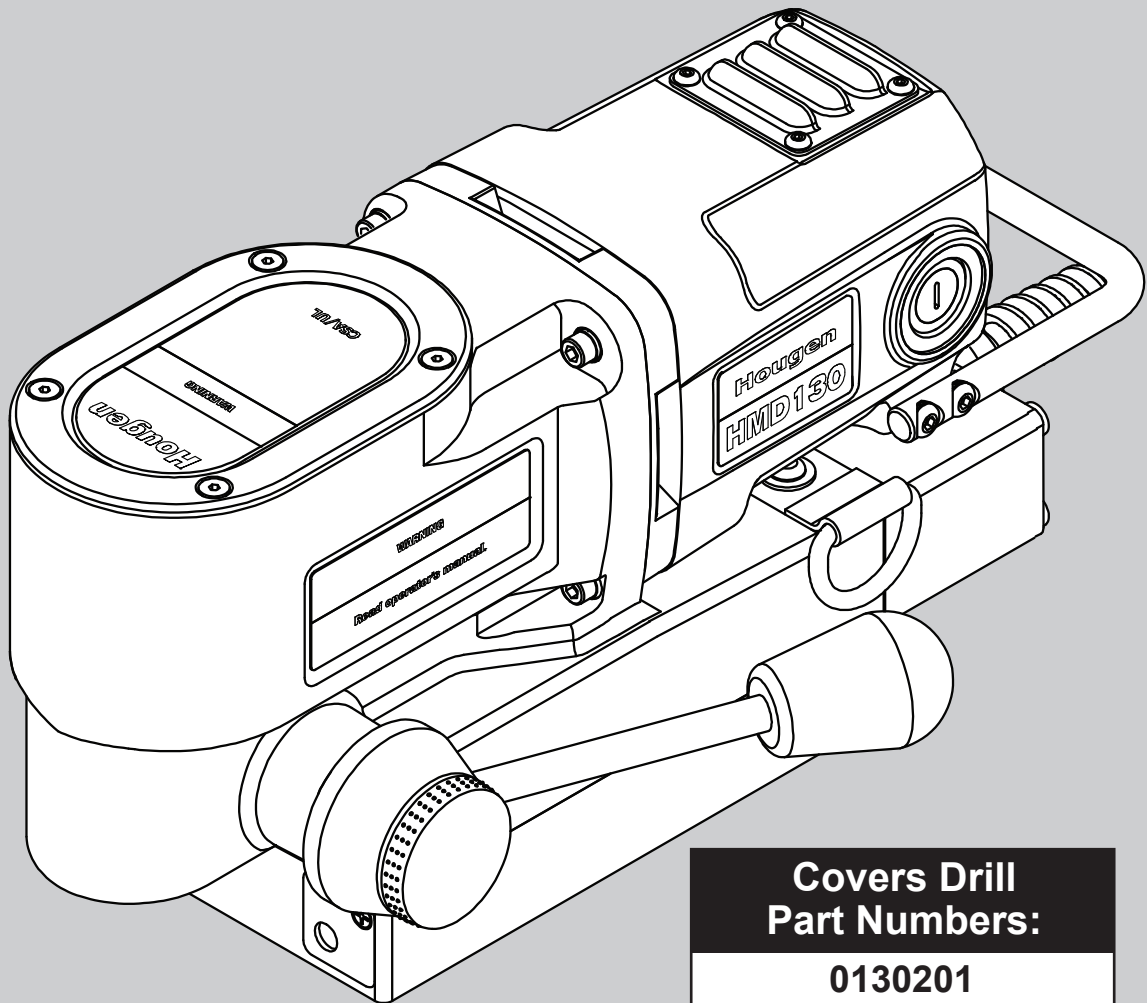




OPERATOR'S MANUAL

HMD130 SERIES PORTABLE MAGNETIC DRILL



**Covers Drill
Part Numbers:**

**0130201
0130301**

FOR USE WITH ROTALOC PLUS[™] CUTTERS

HOUGEN® PORTABLE MAGNETIC DRILL MODEL HMD130 SERIES

Welcome to Hougen

Congratulations on your purchase of the Hougen® Portable Magnetic Drill. Your model is designed to produce superior holes quickly and efficiently. Through constant innovation and development, Hougen is committed to provide you with hole producing tools and products to help you be more productive.

Before attempting to operate your new Portable Magnetic Drill, please read all instructions first. These include the Operator's Manual and Warning Label on the unit itself. With proper use, care, and maintenance, your model will provide you with years of effective hole drilling performance. Once again, thank you for selecting our product and welcome to Hougen.

Specifications

Cutter Type.....RotaLoc Plus
Hole Capacity.....1/2" to 1-3/8" (12mm-35mm)
Depth of Cut.....1" (25mm)
Motor.....450 RPM, 8A
Net Weight.....23.4 lbs. (10.6 kg)

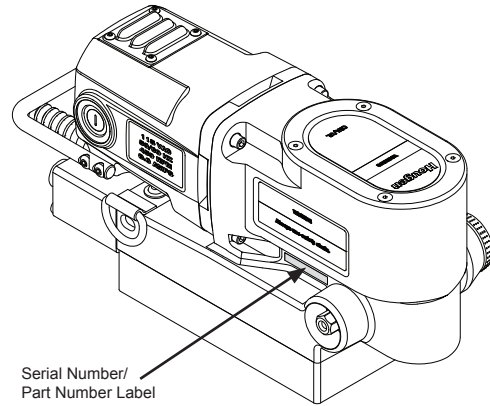
Noise Specifications

Weighted Sound Pressure.....LpA=88.9dB(A)
Weighted Sound Pressure Uncertainty.....KpA=3dB(A)
Weighted Sound Power.....LwA=101.9dB(A)
Weighted Sound Power Uncertainty.....KwA=101.9dB(A)

Refer to the Serial/Part number Label on your housing to direct you to the correct breakdown.

Part Number

0130201 HMD130 230V
0130301 HMD130 230V - Type I



UNPACKING YOUR NEW DRILL

1. Open shipping carton and remove the literature and hardware packages.
2. **Read and Follow All Instructions** before attempting to operate your new Magnetic Drill.
3. Complete and mail the Product Registration Card [now](#). It is important that Hougen Manufacturing, Inc. have a record of product ownership.
4. Open hardware package and check contents.
 - 17059 Safety Strap
 - 08511 Feed handle
 - 08512 Feed handle
 - 17021 Oval Knob
 - 11741 RotaMagic
 - 11746 Slick-Stik
5. Using the rear handle of Magnetic Drill, lift unit out of the shipping case.
6. Remove all packing and securing material from the drill unit.
7. Screw the Knob into the Feed Handle and then screw Handle into the Hub Assembly. Do not over tighten or may strip the knobs.
8. Your Magnetic Drill was factory adjusted prior to shipping. Check to make sure that all motor mount screws and magnet mounting screws are snug and have not vibrated loose in transit.
9. Your new Low profile Magnetic Drill uses Hougen RotaLoc Plus™ Cutters.

Reread Safety Warnings listed in the Operator's Manual and on the drill unit to avoid injury. Follow operating procedures.

INDEX

Welcome to Hougen.	2	HMD130 Exploded View	8
Important Safety Instructions	3-4	Parts List	9
Safety Switch Indicator Light	4	Motor Diagram & Part List	10
Operating Instructions	5	Rotaloc Series of Cutters	11
Rotaloc Plus Cutter Installation	6	Limited Warranty Information	11
Control Panel Diagram	7	Factory Authorized Warranty Repair Centers	12

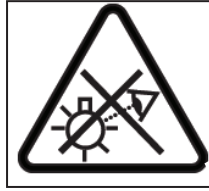
WARNING



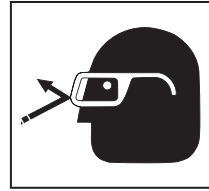
Cutters are sharp. Wear gloves when installing or removing cutter from arbor. Do not grab a rotating cutter.



To prevent electric shock, do not use power tools near wet areas, or where power tool may become wet.



Do not stare at operating light.



Always wear eye protection while using cutting tools, or in the vicinity of cutting.



The slug is ejected at the end of the cut. Do not aim cutter or arbor so that ejected slug may hit someone around, or below you.

IMPORTANT SAFETY INSTRUCTIONS



WARNING:

Read all safety warnings, instructions, illustrations and specifications provided with this power tool. Failure to follow all instructions listed below may result in electric shock, fire and/or serious injury.

1. Work Area Safety

- a) Keep your work area clean and well lit. *Cluttered or dark areas invite accidents.*
- b) Do not operate power tools in explosive atmospheres, such as in the presence of flammable liquids, gases or dust. *Power tools create sparks which may ignite the dust or fumes.*
- c) Keep children and bystanders away while operating a power tool. *Distractions can cause you to lose control.*

2. Electrical Safety

- a) Power tool plugs must match the outlet. Never modify the plug in any way. Do not use any adapter plugs with earthed (grounded) power tools. *Unmodified plugs and matching outlets will reduce risk of electrical shock.*
- b) Avoid body contact with earthed or grounded surfaces such as pipes, radiators, ranges and refrigerators. *There is an increased risk of electric shock if your body is earthed or grounded.*
- c) Don't expose power tools to rain or wet conditions. *Water entering a power tool will increase the risk of electric shock.*
- d) Do not abuse the cord. Never use the cord for carrying or unplugging the power tool. Keep cord away from heat, oil, sharp edges or moving parts. *Damaged or entangled cords increase the risk of electric shock.*
- e) When operating a power tool outdoors, use an outdoor extension cord suitable for outdoor use. *Use of cord suitable for outdoor use reduces the risk of electric shock.*
- f) If operating a power tool in a damp location is unavoidable, use a residual current device (RCD) protected supply. *Use of an RCD reduces the risk of electric shock.*

3. Personal Safety

- a) Stay alert, watch what you are doing and use common sense when operating a power tool. Do not use a power tool while you are tired or under the influence of drugs, alcohol, or medication. *A moment of inattention while operating power tools may result in serious personal injury.*
- b) Use personal protective equipment. Always wear eye protection. *Protective equipment such as dust mask, non-skid shoes, hard hat or hearing protection used for appropriate conditions will reduce personal injuries.*

- c) Prevent unintentional starting. Ensure the switch is in the off-position before connecting to power source and/or battery pack, picking up or carrying the tool. *Carrying power tools with your finger on the switch or energizing power tools that have the switch on invites accidents.*
- d) Remove any adjusting keys or wrench before turning the power tool on. *A wrench or a key that is left attached to a rotating part of the power tool may result in personal injury.*
- e) Do not overreach. Keep proper footing and balance at all times. *This enables better control of the power tool in unexpected situations.*
- f) Dress properly. Do not wear loose clothing or jewelry. Keep your hair and clothing away from moving parts. *Loose clothes, jewelry or long hair can be caught in moving parts.*
- g) If devices are provided for the connection of dust extraction and collection facilities, ensure these are connected and properly used. *Use of dust collection can reduce dust-related hazards.*
- h) Do not let familiarity gained from frequent use of tools allow you to become complacent and ignore tool safety principles. *A careless action can cause severe injury within a fraction of a second.*
- i) Always use safety chain. *Mounting can release.*

4. Power Tool Use and Care

- a) Do not force the power tool. Use the correct power tool for your application. *The correct power tool will do the job better and safer at the rate for which it is designed.*
- b) Do not use the power tool if the switch does not turn it on or off. *Any power tool that cannot be controlled with the switch is dangerous and must be repaired.*
- c) Disconnect the plug from the power source and/or remove the battery pack, if detachable, from the power tool before making any adjustments, changing accessories or storing power tools. *Such preventative safety measures reduce the risk of starting the tool accidentally.*
(Continued on page 4)

Save all warnings and instructions for future reference.

IMPORTANT SAFETY INSTRUCTIONS

- d) Store idle power tools out of reach of children and do not allow persons unfamiliar with the power tool or these instructions to operate the power tool. *Power tools are dangerous in the hands of untrained users.*
- e) Maintain power tools and accessories. Check for misalignment or binding of moving parts, breakage of parts and any other condition that may affect the power tool's operation. If damaged, have the power tool repaired before use. *Many accidents are caused by poorly maintained power tools.*
- f) Keep cutting tools sharp and clean. *Proper maintained cutting tools with sharp cutting edges are less likely to bind and are easier to control.*
- g) Use the power tool, accessories and tool bits etc. in accordance with the instructions, taking into account the working conditions and the work to be performed. *Use of the power till for operations different from those intended could result in a hazardous situation.*
- h) Keep handles and grasping surfaces, clean and free from oil and grease. *Slippery handles and grasping surfaces do not allow for safe handling and control of the tool in unexpected situations.*

5. Service

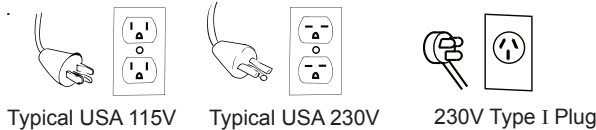
- a) Have your power tool serviced by a qualified repair person using only identical replacement parts. *This will ensure that the safety of the power tool is maintained.*

ADDITIONAL SAFETY INSTRUCTIONS

Safe Electrical Connection

Your Drill is rated for use on 115VAC or 230V at 50-60Hz. Do not attempt to use drill on power sources rated other than this.

Plugs and Receptacles



Wet electrical connections are shock hazards. To prevent the cutting fluid from traveling along the cord and contacting the plug or power outlet, tie a drip loop as shown. Also elevate extension cords or gang box connections.



Extension Cords

Use only 3-wire extension cords that have a 3-prong grounding type plug and 3-pole receptacles that accept the tool's plug. Replace or repair damaged cords. Make sure the conductor size is large enough to prevent excessive voltage drop which will cause loss of power and possible motor damage.

LENGTH OF CORD, FEET	RECOMMENDED WIRE GAUGE	RECOMMENDED WIRE GAUGE
	115V MOTOR 10 - 12 AMPS	230V MOTOR 5 - 6 AMPS
Up to 25	16	18
26 - 50	14	18
51 - 100	10	16
101 - 200	8	14
201 - 300	6	12
301 - 500	4	10

Outdoor Extension Cord Use

When tool is used outdoors, use only extension cords intended for use outdoors and so marked.

Additional Safety Precautions

Arbor and cutter should never be used as a handhold or handle. Keep hands and clothing away from all moving parts. Do not use Houghen Cutters where ejected slug might cause injury (slug ejected at end of cut). Also, adhere to all operating instructions. Do not drill through any surface that may contain live electrical wiring. Drilling into a live wire could cause exposed metal parts of the drill to be made live. Remove chips wrapped around cutter and arbor after each hole. With motor off and power disconnected, grasp chips with leather gloved hand or pliers and pull while rotating counterclockwise. Should the cutter become jammed in the work, stop the unit immediately to prevent personal injury. Disconnect the drill from the power supply and loosen jammed cutter by turning the arbor counterclockwise. Never attempt to free the jammed cutter by starting the motor. Service at authorized repair center only.

Operating Near Welding Equipment

DO NOT operate this unit on the same work surface that welding is being performed on. Severe damage to the unit, particularly the power cord, could occur. This could also result in personal injury to the operator.

Circuit Breaker (If Applicable)

Changing of the circuit breaker to a higher amp rated breaker, or bypassing the circuit breaker is not recommended and will void product warranty.

Circuit Breaker Operation (If Applicable)

The circuit breaker is a thermal breaker. When it reaches the higher temperature rating it will trip and cause the unit to shut down. This is a protective device and can be reset after 5 to 10 minutes. To reset the breaker, press the breaker button back in. If it does not reset, let the unit cool a little longer until you can push the button in and it stays in position.

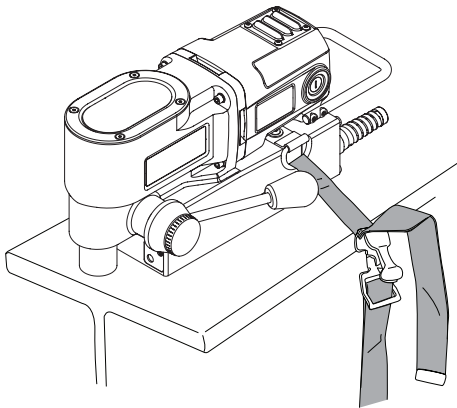
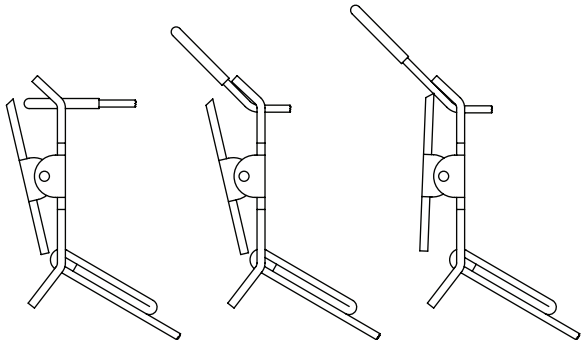
Save all warnings and instructions for future reference.

OPERATING INSTRUCTIONS

1. Place drill on material (at least 3/8" thick) and locate for drilling hole.

2. Press magnet switch to "ON"

3. Thread safety strap through opening between motor and drill housing. Ensure that strap does not interfere with operation of feed handle. Insert tab of strap into buckle. Cinch strap tight to material and drill housing. Check for slack and adjust as needed.



CAUTION:

- Keep strap clear of cutting area, chips, and rough edges on material.
- Inspect strap periodically for fraying and damage. Do not use a damaged safety strap.

4. Apply liberal amount of cutting fluid or stick lubricant to cutter. Additional lubrication may be required to finish cut.

5. Make certain that cutter is clear of workpiece and turn motor ON by pressing the motor START button.

6. Feed Cutter slowly into workpiece. Only after cutting path is established to a depth of about 1/16" can additional force be applied to feed handles. Ease up on feed pressure as cutter starts breaking through

CAUTION: Do not over-feed cutter. Excessive feed pressure may cause the magnet to break free from material.

DRILLING MULTIPLE LAYER MATERIALS:

Second layer penetration may be difficult. Slight additional feed pressure may be required (avoid over-feed as noted above).

If unable to penetrate second layer, withdraw cutter from material ejecting slug and clean away any remaining chips. Feed cutter in hole and continue cut.

- Turn motor off when cut is finished.
- Fully retract cutter from material, ejecting the slug.
- Remove safety strap.

7. Turn magnet switch to "OFF" position.

CAUTION: Retain firm hold on drill to prevent dropping.

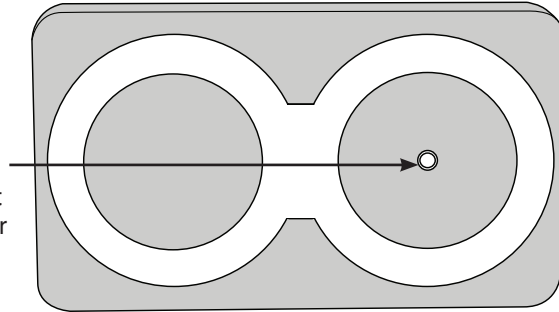
Cutter Inside Diameter may collect chips, restricting depth of cut. Cutter should be frequently inspected and any chips or debris removed.

OPTIONAL FEED METHODS:

- 1/2" Box Wrench
- Ratchet with 1/2" Socket
- NO PLIERS OR OPEN END WRENCH (They will damage feed handle mounting surfaces)

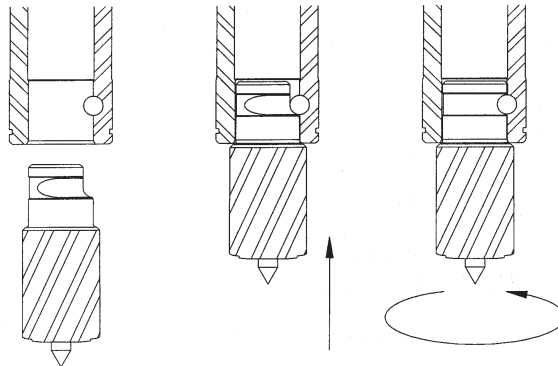
SAFETY SWITCH

NOTE: The Safety Switch located in the base of the unit shuts off the motor when the unit lifts. The magnet will stay engaged until you turn off the magnet. It is important to keep this area clean and free from chips. Periodically check this switch for proper function and if for some reason it is not working properly, send the unit to an authorized repair center for service.

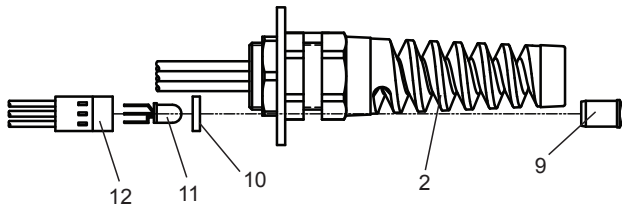
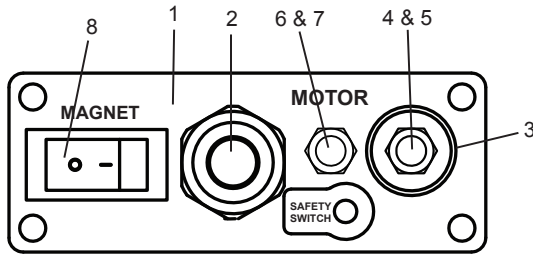


ROTALOC PLUS™ CUTTER INSTALLATION

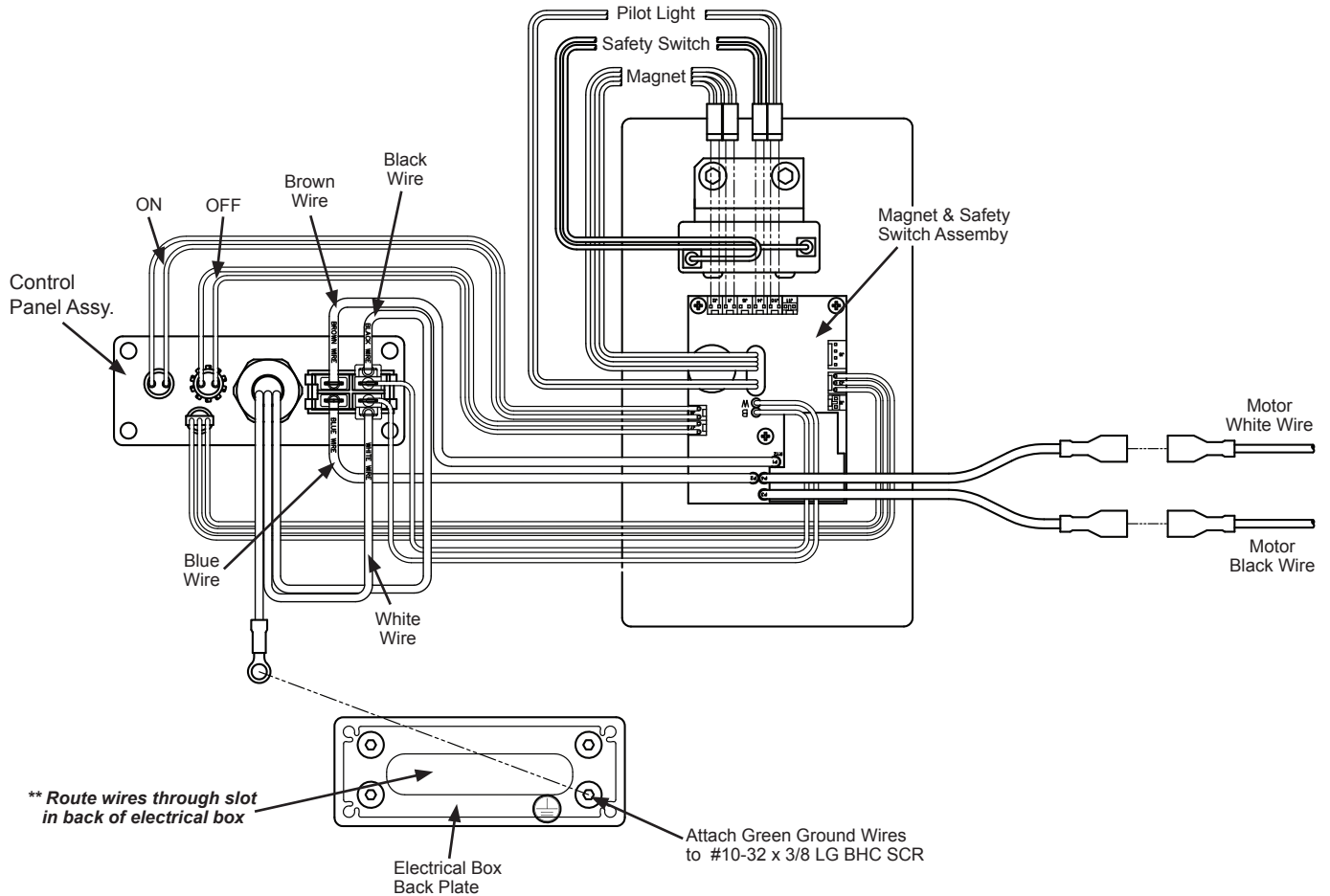
1. Disconnect machine from power source.
2. Insert pilot into cutter.
3. Align flat on shank with pin in spindle.
4. Insert cutter into spindle.
5. Give cutter 1/4 turn in opposite direction of flutes.

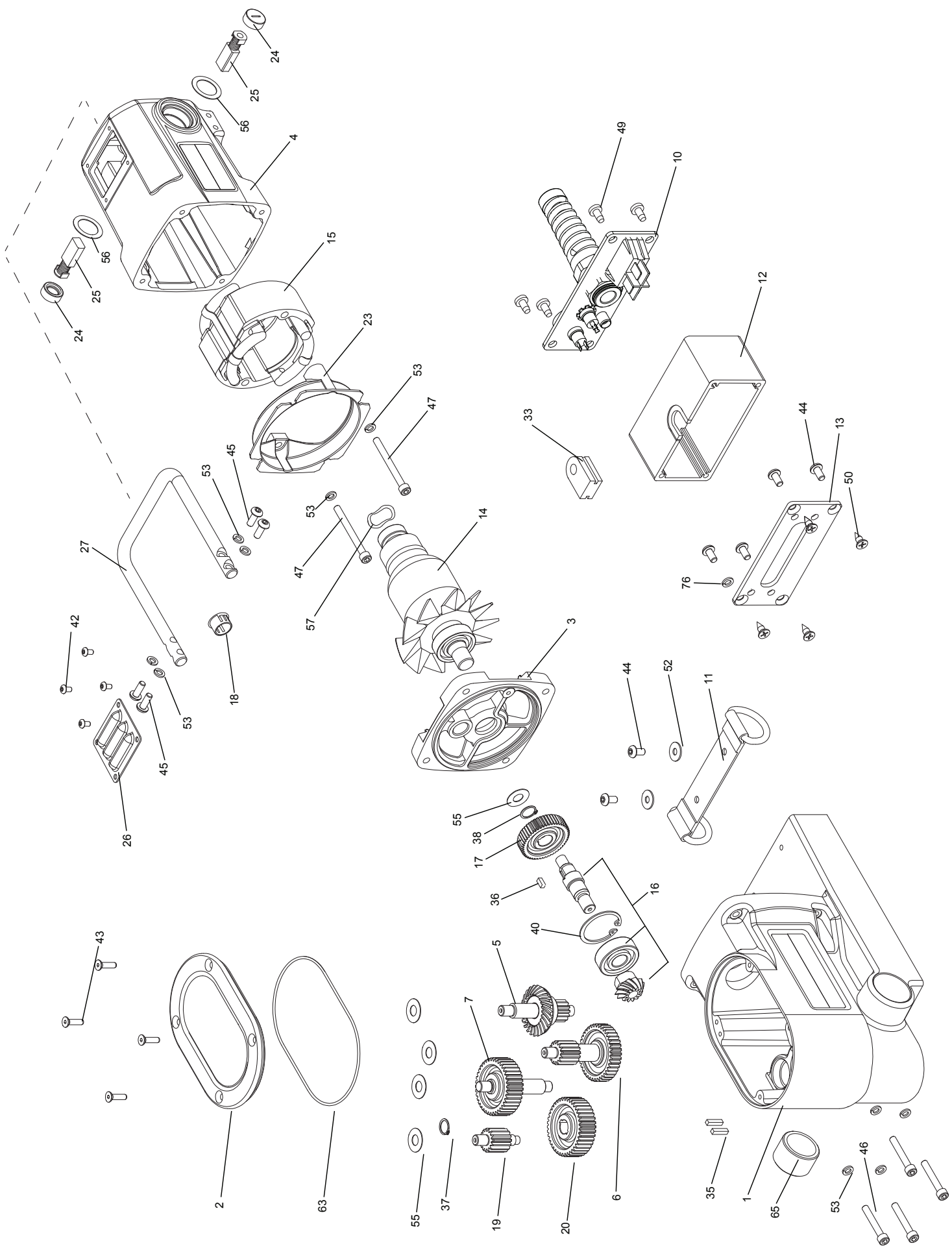


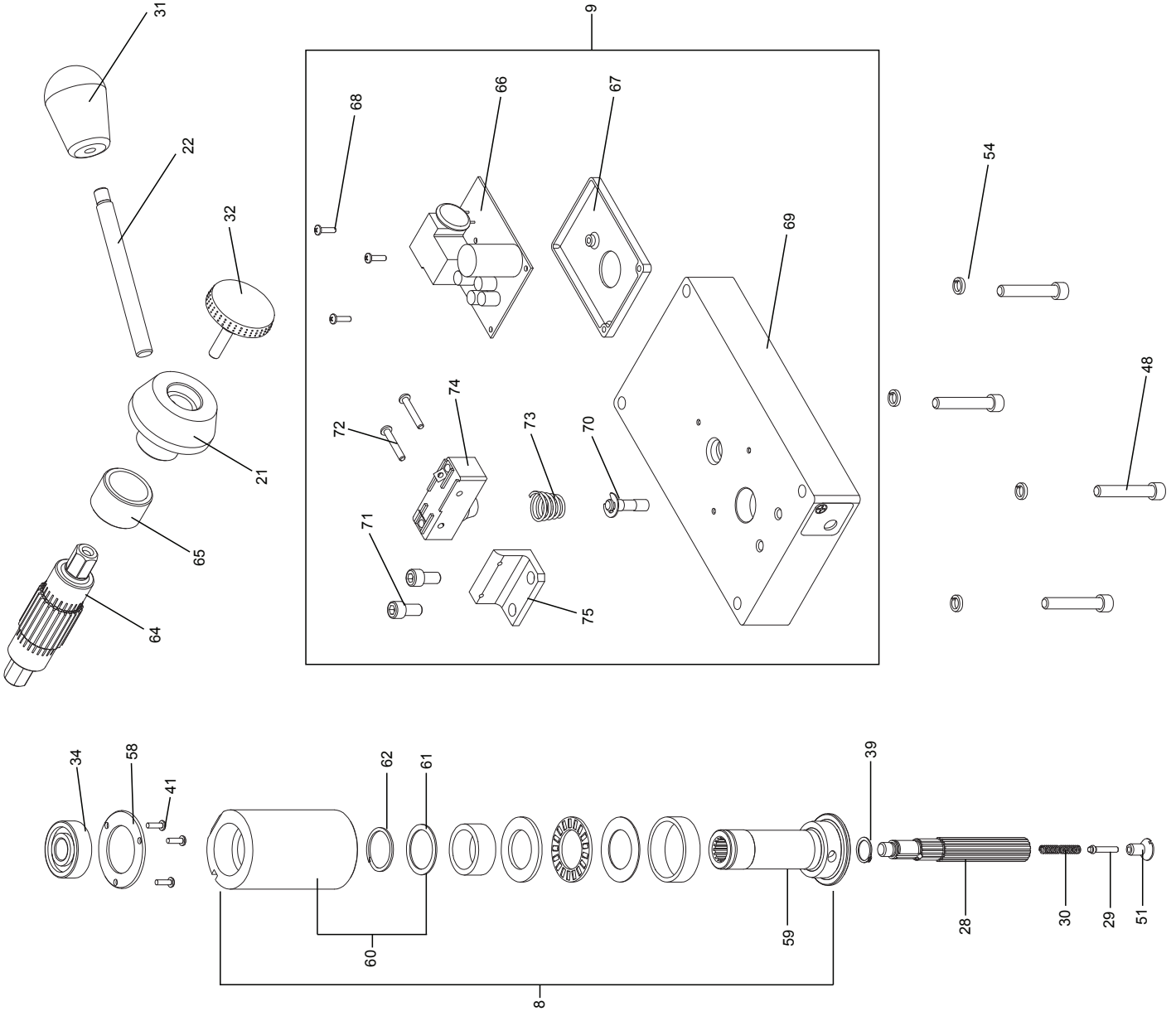
CONTROL PANEL ASSEMBLY



08837 Control Panel Assembly - 230V			
08839 Control Panel Assembly - Type I 230V			
Item	Part #	Description	Qty
1	08829	Faceplate	1
2	07299	Power Cord Assy - 230V	1
	08371	Power Cord Assy - Type I	1
3	08831	Guard - Switch	1
4	08832	Switch - Motor On	1
5	08834	Cover - Switch Green	1
6	08833	Switch - Motor Off	1
7	08835	Cover - Switch Red	1
8	08830	Switch - Rocker, Illuminated	1
9	04879	Lens - LED	1
10	04878	Spacer - LED	1
11	04881	Bulb - LED	1
12	04877	Wire Harness	1







HMD130 PARTS LIST

Item #	Part #	Description	Qty
1	08596	Drill Housing & Label Assy - 230V	1
2	08427	Gear Box Cap	1
3	08428	Gear Box Cover	1
4	08588	Motor Housing Assy - 230V	1
5	08430	Gear Assy, 24 & 14 Tooth	1
6	08431	Gear Assy, 39 & 15 Tooth	1
7	08432	Gear Assy, 39 Tooth	1
8	08433	Quill & Arbor Assy	1
9	08589	Magnet / Switch Assy - 230V	1
10	08837	Control Panel Assy - 230V	1
	08839	Control Panel Assy - Type I	1
11	08436	Safety Strap	1
12	08827	Housing, Electrical Box	1
13	08828	Backplate	1
14	17631	Armature - 230V	1
15	08591	Field - 230V	1
16	08605	Spindle Assy.	1
17	08441	Spur Gear #2 - 50 Tooth	1
18	07216	Hole Plug	1
19	08443	Spur Gear #7 - 15 Tooth, 24 PD	1
20	08444	Spur Gear #8 - 40 Tooth, 24 PD	1
21	08445	Feed Hub	1
22	08511	Feed Handle	1
	08512	Feed Handle	1
23	07846	Baffle	1
24	17622	Cap - Brush Holder	2
25	17621	Carbon Brush	1
26	07848	Cover, Brush Access	1
27	08447	Handle	1
28	08606	Spline Shift	1
29	08513	Plunger	1
30	17492	Spring - Comp, ø.18 x 1.0 FL	1
31	17021	Knob - Oval	1
32	08449	Knob - Rubber Grip	1
33	08450	Grommet - Vibration	1
34	17270	Bearing	2
35	17277	Key - 1/8 SQ x .53 LG	2
36	08451	Key - 1/8 SQ x 5/32 LG	1
37	08456	Ring - Retaining .406 Shaft	1
38	08452	Ring - Retaining 7/16 Shaft	1

Item#	Part #	Description	Qty
39	17475	Ring - Retaining 12mm shaft	1
40	08453	Ring - Retaining, Int 1.259 Bore	1
41	04718	SCR PAN HD #4-40 x 3/8 LG	3
42	02385	SCR BHC #6-32 x 1/4	4
43	90448	SCR FHC #8-32 x 5/8 LG	4
44	41044	SCR BHC #10-32 x 3/8 LG	6
45	90077	SCR BHC #10-32 x 1/2 LG	4
46	51044	SCR SHC #10-32 x 1-1/4	4
47	07849	SCR SHC #10-32 x 2 LG	2
48	40078	SCR SHC 1/4-20 x 1-1/2 LG	4
49	24081	SCR Self Tap Pan HD #10 x 3/8	4
50	17459	SCR FHC - Tapping #10 x 1/2	4
51	17493	SCR FHC - Altered 1/4-28	1
52	90237	Washer - Flat #10	2
53	50038	Washer - Lock Helical #10	10
54	04721	Washer - Lock 1/4 Hi-Collar	4
55	17610	Washer - Flat 8mm	5
56	17632	Washer - Fiber	2
57	08000	Washer - Spring	1
58	08454	Washer - Bearing Retainer	1
59	08481	Arbor Assy	1
60	08482	Quill Assy	1
61	08483	Washer - Thrust	1
62	24164	Ring - Retaining	1
63	08467	O-Ring	1
64	08463	Gear - Feed 24 Tooth 1.00 PD	1
65	40231	Bronze Bushing	1
66	08673	Circuit Board - 230V	1
67	08493	Spacer - Circuit Board	1
68	08494	SCR - PAN HD #4-40 x 7/16	3
69	08491	Magnet - Winding Assy	1
70	08492	Plunger Assy	1
71	10971	SCR SHC 1/4-20 x 1/2	2
72	10972	SCR BHC 6-32 x 7/8	2
73	17271	Spring	1
74	04885	Safety Switch Assy	1
75	04909	Bracket - Safety Switch	1
76	10560	Lock Washer	1

ROTALOC PLUS™ CUTTERS FOR THE HMD130

The RotaLoc Plus™ cutters are made specifically for the HMD130. They are equipped with 5/8" tool-less Bayonet-style twist and lock shank, 1" D.O.C. stack cut cutter. They are made of premium M42 high speed steel and available in diameters from 7/16" to 1-3/8" and 12mm to 35mm.

Rotaloc Plus™ Cutters 1" D.O.C.

Use with Pilot Pin 17810			
17814	7/16"	17900	12mm
17816	1/2"	17902	13mm
17818	9/16"	17904	14mm
17820	5/8"	17906	15mm
17822	11/16"	17908	16mm
17824	3/4"	17910	17mm
17826	13/16"	17912	18mm
17828	7/8"	17914	19mm
17830	15/16"	17916	20mm
17832	1"	17918	21mm
17834	1-1/16"	17920	22mm
17836	1-1/8"	17922	23mm
17838	1-3/16"	17924	24mm
17840	1-1/4"	17925	24.5mm
17842	1-5/16"	17926	25mm
17844	1-3/8"	17928	26mm
		17930	27mm
		17932	28mm
		17934	29mm
		17936	30mm
		17938	31mm
		17940	32mm
		17942	33mm
		17944	34mm
		17946	35mm

Rotaloc Plus™ Cutter Kits 1" D.O.C.

Part #	Description
17802	Kit contains (3) Cutters, 1" D.O.C. - 1/2", 5/8", 3/4" dia. plus (2) pilots in a sturdy plastic case
17803	Kit contains (3) Cutters, 1" D.O.C. - 9/16", 11/16", 13/16" dia. plus (3) Pilots in a plastic carrying case
17805	Kit contain (3) cutters, 1" D.O.C. -14mm, 16mm, 18mm dia. plus (3) pilots in a plastic carrying case.

COMMERCIAL / INDUSTRIAL LIMITED WARRANTY

Hougen Manufacturing, Inc. warrants its Portable Magnetic Drills, Trak-Star Rail Drills, Hydraulic Rail Saw and Tornado II Paint Shakers for two (2) years, Electro-Hydraulic Hole Punchers for one (1) year, and it's Husqvarna Saw and other products for ninety (90) days from date of purchase against defects due to faulty material or workmanship and will repair or replace (at its option) without charge any items returned. This warranty is void if the item has been damaged by accident or unreasonable use, neglect, improper service, or other causes not arising out of defects in material or workmanship. No other expressed warranty is given or authorized. Hougen Manufacturing, Inc. disclaims any implied warranty of Merchantability or fitness for any period beyond the expressed warranty and shall not be liable for incidental or consequential damages. Some states do not allow exclusion of incidental or consequential damages or limitation on how long an implied warranty lasts and, if the law of such a state governs your purchase, the above exclusion and limitation may not apply to you. This warranty gives you specific legal rights and you may also have other rights which vary from state to state.

To obtain warranty service, return the item(s), transportation prepaid to your nearest Factory Authorized Warranty Service Center, or to Hougen Manufacturing, Inc., 3001 Hougen Drive, Swartz Creek, MI 48473.

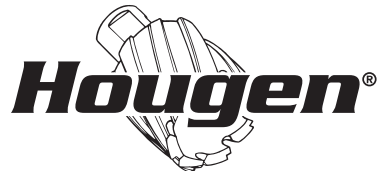
This warranty is in lieu of any other warranty, expressed or implied, including any warranty of merchantability or fitness for a particular purpose.

Photographs and Specifications shown are accurate in detail at time of printing. Manufacturer reserves the right to make improvements and modifications without prior notice. Hougen, Rotabroach, and Hougen-Edge are proprietary trademarks of Hougen Manufacturing Inc.

HOUGEN AUTHORIZED WARRANTY REPAIR CENTERS

Hougen Authorized Warranty Repair Centers have been factory trained to properly service and repair Hougen Portable Magnetics Drills. To locate an Authorized Warranty Repair Centers near you, please visit:

www.hougen.com



Hougen Manufacturing, Inc.

P.O. Box 2005 • Flint, MI 48501-2005
3001 Hougen Drive • Swartz Creek, MI 48473
Phone (810) 635-7111 • Fax (810) 635-8277
www.hougen.com • info@hougen.com

© 2019 Hougen Manufacturing, Inc.