

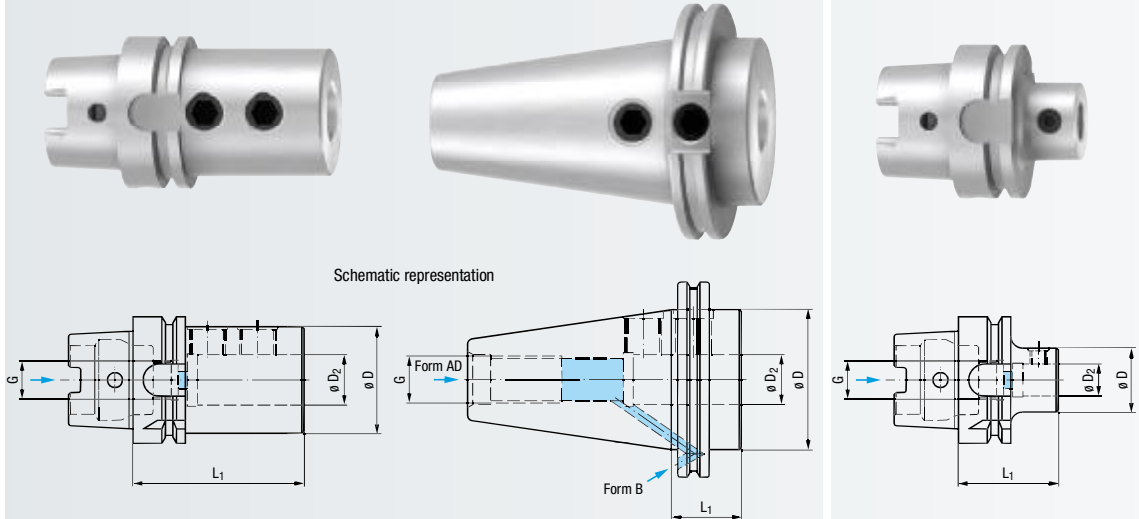
EMUGE Adapter Shanks

- Product Finder
- Soft-synchro
- KSN
- MLQ
- SFM
- SWITCH-MASTER
- GRN-NC
- SPEED-SYNCHRO
- HF
- EM
- Accessories
- Tech. Info



With shank adaption according to DIN 1835 B

With shank adaption according to ABS® Shank



Type	Form	Shank Size	mm				EDP Number	
			ø D ₂	ø D	G	L ₁		
DIN 69871 1)	AD	SK 40	25	45	M16	35	F330006.01	*
		SK 50	25	70	M24	35	F330006.02	*
		SK 50	32	70	M24	35	F330006.05	*
	B	SK 40	25	45	M16	35	F330006.03	*
		SK 50	25	70	M24	35	F330006.04	*
		SK 50	32	70	M24	35	F330006.06	*
DIN 2080	AD	SK 30	20	36	M12	34	F330005.03	*
		SK 40	25	44	M16	22	F330005.01	*
		SK 50	25	70	M24	16	F330005.02	*
		SK 50	32	70	M24	16	F330005.04	*
ASME B5.50 Metr.	AD	SK 40	25	45	M16	35	F330007.01	*
		SK 50	25	70	M24	35	F330007.02	*
		SK 50	32	70	M24	35	F330007.06	*
ASME B5.50 UNC	AD	CAT 40	25	44.5	5/8 - 11	35	F330007.03	●
		CAT 50	25	70	1 - 8	35	F330007.04	●
		CAT 50	32	70	1 - 8	35	F330007.05	●
JIS B 6339 (MAS 403 BT)	AD	BT 30	20	36	M12	35	F330008.04	*
		BT 40	25	45	M16	35	F330008.01	*
		BT 50	25	70	M24	44	F330008.02	*
		BT 50	32	70	M24	44	F330008.03	*
DIN 69893 A 1) 2)		HSK-A40	20	52	M12 x 1	75	F33000C.02	*
		HSK-A40	25	65	M12 x 1	105	F33000C.03	*
		HSK-A50	20	52	M16 x 1	80	F33000C.04	*
		HSK-A50	25	65	M16 x 1	107	F33000C.05	*
		HSK-A50	32	77	M16 x 1	114	F33000C.06	*
		HSK-A63	25	53	M18 x 1	85	F33000C.07	*
		HSK-A63	32	72	M18 x 1	110	F33000C.08	*
		HSK-A80	25	65	M20 x 1.5	90	F33000C.09	*
		HSK-A80	32	72	M20 x 1.5	110	F33000C.10	*
		HSK-A100	25	65	M24 x 1.5	100	F33000C.11	*
		HSK-A100	32	72	M24 x 1.5	96	F33000C.12	*
		HSK-A63	ABS 32	32	M18 x 1	50	F33000C.48	*
HSK-A100	ABS 32	32	M24 x 1.5	60	F33000C.50	*		

1) With bore for data chip according to DIN 69873

Further designs upon request

2) Coolant tubes and wrenches see page 413, please order separately

The locking screw is included in the delivery