

# SUBMITTAL SHEET

## 807-C-R Large Diameter Series

APOLLOXPRESS® Press End Reducing Copper Elbow  
90° Close Turn CxC (3" x 2" & 3" x 2 1/2")



Job Name:	
Job Location:	
Engineer:	
Contractor:	
Tag:	
PO Number:	
Representative:	
Wholesale Distributor:	



### DESCRIPTION

The APOLLOXPRESS® 807-C-R Large Diameter Close Turn Press Reducing Elbow features a Lead-Free dezincification resistant copper body, a patented stainless-steel solid cross-section Grab Ring, a Nylon Separation Ring and an EPDM O-Ring. Our Large Diameter APOLLOXPRESS® products are manufactured utilizing proven ASTM materials and standards. Proudly Made In The USA.

### FEATURES

- Lead-Free Construction
- Leak-Before-Press Technology
- Visual element, Break Away Band (Pat. Pending)
- Compatible with XL-C™ Pressing Tools
- Approved for underground installation (per local installation code)
- Use with hard/soft ASTM B88 K, L & M Copper Tube
- Made in USA
- cUPC® Compliant
- ARRA Compliant

### PERFORMANCE RATING

- Maximum Pressure: 200 psi
- Temperature Range: 0°F to 250°F depending on application. Hot Water up to 250°F, Chilled Water down to 33°F

### APPROVALS

- NSF/ANSI NSF 61 – Water Quality
- NSF/ANSI NSF-372 – Lead Free (LF)
- IAPMO File Listings: 4861, 6174 & N-4951

### APOLLOXPRESS

- Large Diameter Sizes 3" x 2" & 3" x 2 1/2"
- Model 807-C-R, 90° Reducing Close Turn Elbow C x C

### STANDARD MATERIALS

Part Name	Material
Body	UNS C12200 Copper
Grab Ring	304 / 306 Stainless Steel
Spacer Ring	Nylon 66
O-Ring	EPDM
Lubrication	Silicone, ANSI/NSF-61 Listed

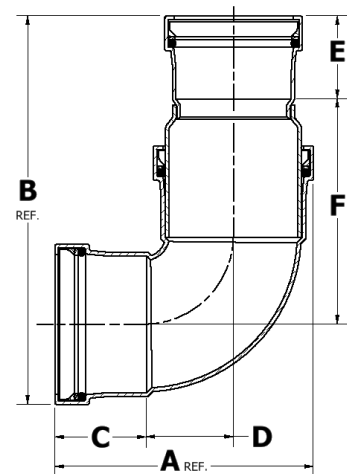
### DIMENSIONS

Item No.	Description	Dimension (in.)									(lb.)
		A	B	C*	D**	E*	F**	Height	Width	Depth	
10066460	807C 3x2 CxC	5.94	8.41	2.10	2.00	1.51	5.07	8.41	5.94	3.68	3.88
10066141	807C 3x2 1/2 CxC	5.94	8.93	2.10	2.00	1.90	5.19	8.93	5.94	3.68	4.63

\* Tolerance +/- .02"

\*\* Tolerance +.15 / -.03

Note:  
These fittings are crimped two-piece construction.



### Elkhart Products Corporation

1255 Oak Street, Elkhart, IN 46514

www.elkhartproducts.com | (574) 264-3181

This specification is provided for reference only. Elkhart Products Corporation reserves the right to change any portion of this specification without notice and without incurring obligation to make such changes to Elkhart products previously or subsequently sold.

