

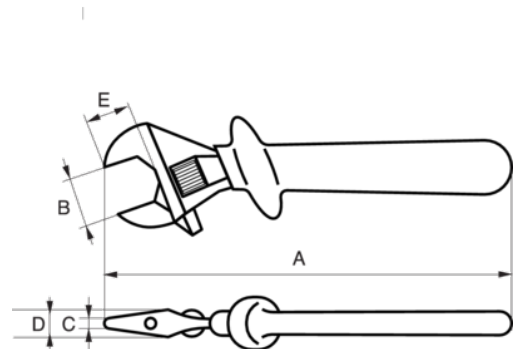


## 8070V - 8074V Insulated Thumb Screw Adjustable Wrenches



### PRODUCT DETAILS

- Dip-coated insulation
- 3-layer safety colour code insulation
- For working on live equipment up to 1000 V according to IEC 60900
- Chrome plated and anti-corrosion treated finish
- Made of high performance alloy steel
- Standards: ISO 6787
- 3 Multi-layer coating with different colours indicating safety, danger or high danger. Plus a 4th one in black to further protect handle edges
- This provides protection as well as creating a visual warning system
- If the outer insulation layer gets damaged, the lighter colour underneath will become visible and warn the user
- Each and every tool is tested to 10.000V for 10 seconds at the end of the manufacturing cycle



## PRODUCT ATTRIBUTES

Product	<b>A</b>	<b>A</b>	<b>B</b>	<b>C</b>	<b>D</b>	<b>E</b>	g
<b>8070V</b>	165 mm	6 in	20 mm	5,5 mm	12 mm	19 mm	175 g
<b>8071V</b>	205 mm	8 in	24 mm	7,5 mm	13,5 mm	24 mm	250 g
<b>8072V</b>	260 mm	10 in	29 mm	9 mm	16 mm	29 mm	405 g
<b>8073V</b>	310 mm	12 in	34 mm	11 mm	19 mm	34 mm	650 g
<b>8074V</b>	390 mm	15 in	43 mm	13 mm	24 mm	44 mm	1350 g