



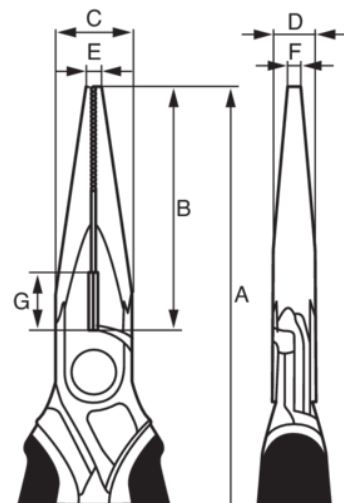
**2430S-140**

**ERGO™ Snipe Nose Pliers with Insulated Dual-Component Handles and Phosphate Finish (140 mm)**



## PRODUCT DETAILS

- Two-component ERGO™ insulated handles: thermoplastic surface on tough polypropylene base provides superior grip
- Developed according to the scientific ERGO™ process
- For working on live equipment up to 1000 V in compliance with IEC 60900
- Cutting capacity: 2.5 mm to 3 mm copper, 1.8 mm iron, 1.4 mm to 1.6 mm iron alloy
- Half-round serrated jaws for gripping flat and round material with great accessibility in confined spaces
- Straight jaws with hardened cutting edges for cutting soft and hard wire
- High-performance alloy steel
- Phosphate finish, anti-corrosion treated
- Standards: ISO 5745, IEC 60900
- Every tool is tested at 10,000 V for 10 seconds at the end of the manufacturing process







**Follow the Fish!**



## PRODUCT ATTRIBUTES

Product: **2430S-140**

<b>A</b>	140 mm	<b>B</b>	37 mm	<b>C</b>	15 mm
<b>D</b>	7,8 mm	<b>E</b>	2,5 mm	<b>F</b>	2 mm
<b>G</b>	12 mm	 2.5 mm	 1.8 mm		
 1.4 mm		 120 g			

Follow the Fish!

