



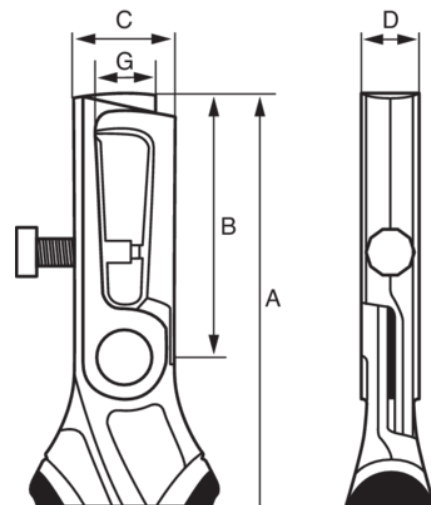
2223 S-150

ERGO™ Wire Stripping Pliers with Insulated Dual-Component Handles and Phosphate Finish (150 mm)



PRODUCT DETAILS



- Two-component ERGO™ insulated handles: thermoplastic surface on tough polypropylene base provides superior grip
- Developed according to the scientific ERGO™ process
- For working on live equipment up to 1000 V in compliance with IEC 60900
- Stripping capacity: 0.5 mm to 5 mm
- Easy wire cutting and stripping pliers for copper and aluminium
- For stripping copper wire up to 5 mm
- High-performance alloy steel
- Phosphate finish, anti-corrosion treated
- Standards: IEC 60900
- Every tool is tested at 10,000 V for 10 seconds at the end of the manufacturing process



Follow the Fish!



PRODUCT ATTRIBUTES

Product	A	B	C	D	G	G		AWG	
2223 S-150	165 mm	36 mm	17 mm	9,3 mm	8,5 mm	8,5 mm	0.5-5 mm	4-23	170 g

